

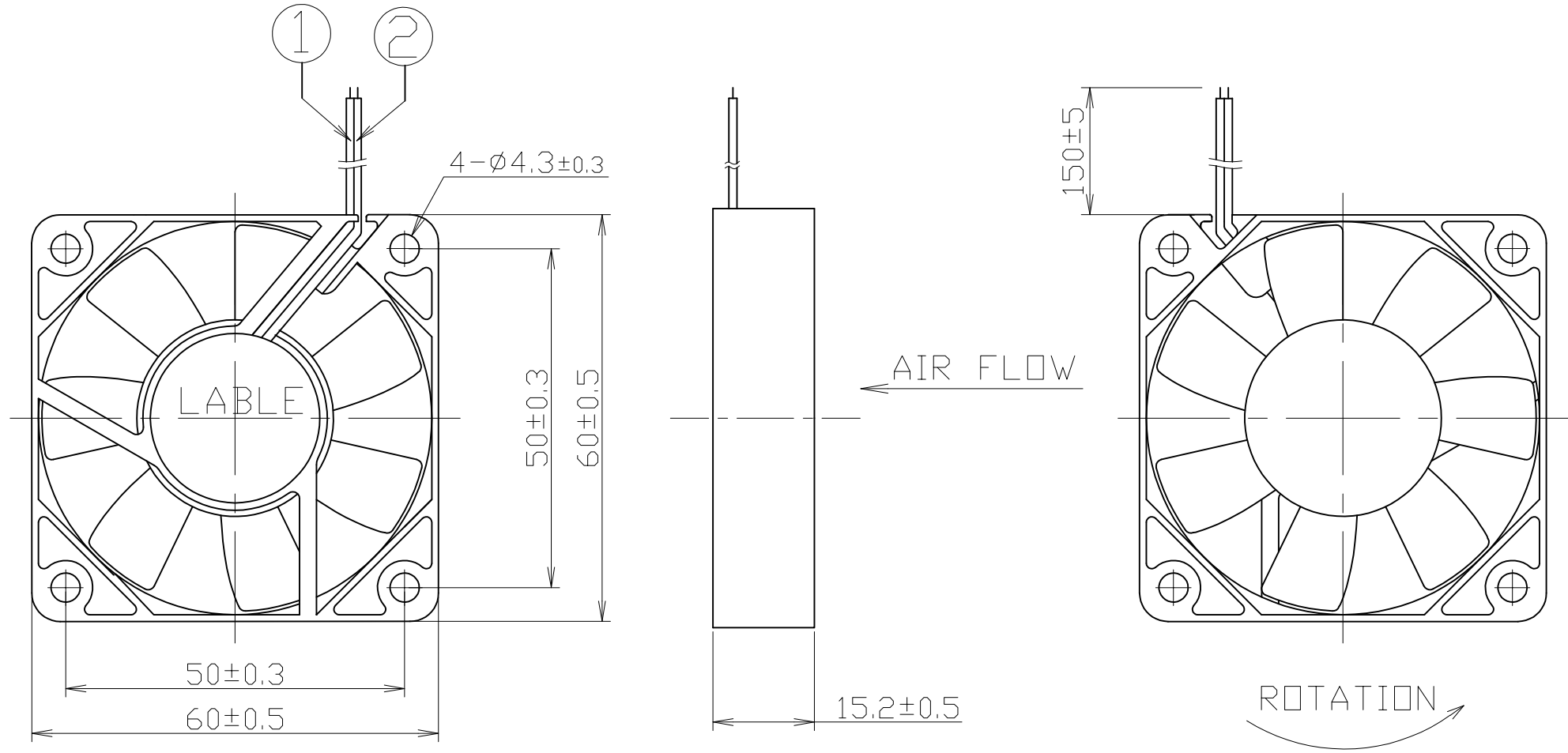
# 样品规格书 Specifications

No.20210427

机种名  
Model F6015ES-12LCV

项目 Item	规 格 Specification
额定电压 (DC V) Rated Voltage	12
使用电压范围 (DC V) Operating Voltage Range	9.0~14.0
额定电流 (A) 以下 Rated Current	MAX. 0.12
额定功率 (W) 以下 Rated Input	MAX. 1.44
最大风量 m <sup>3</sup> /min Max.air voiume	0.41
最大静压 Pa Max.air pressure	21
回转速度 (min <sup>-1</sup> ) (常温、常湿) Speed (Room temp. -humidity)	2800±15%
A特性音压 1m (dB) 以下 Noise level(A-weighted) at 1m	MAX. 35
使用温度范围 Operating temp. range	-30°C~+85°C (常湿) (Room humidity)
保存温度范围 Storage temp. range	-40°C~+85°C (常湿) (Room humidity)
期待寿命 (MTTF) (h) Life expectancy	30, 000 (At 40°C )
绝缘电阻 Insulation resistance	10MΩ 以上 (机壳与电源导线之间) DC500V Over10MΩ (between supply lead and frame)at DC500V
耐电压 Voltage-withstand	AC500V 1分钟 或者 AC600V 1秒 (机壳与电源导线之间) AC500V 1 minute or AC600V 1 second (between supply 1ead and frame)
轴 受 Bearings	循环轴受 Hydro Wave Bearing
导线 Lead wire	□ (+) Red (-) Black ■ (+) Red (-) Blue □ (+) Red (-) Green
信号线 Sensor wire	-
重量	约 38.0(g)

No.	Parts	Manufacturer	Q'ty	Remarks
1	Lead Wire(-)	—————	1	UL3385 HF AWG 26 Blue
2	Lead Wire(+)	—————	1	UL3385 HF AWG 26 Red



$\Delta X$					Productions method		Treatment			Scale	Free	
$\Delta X$					Approved by	Checked by	Designed by	Drawn by	Units	mm	Model	6015
$\Delta X$									Tol.		Title/Name	Appearance
Rev.	Date	Revision note	Signature	Checked				2021.4.27	Angle		Dwg.No.	