

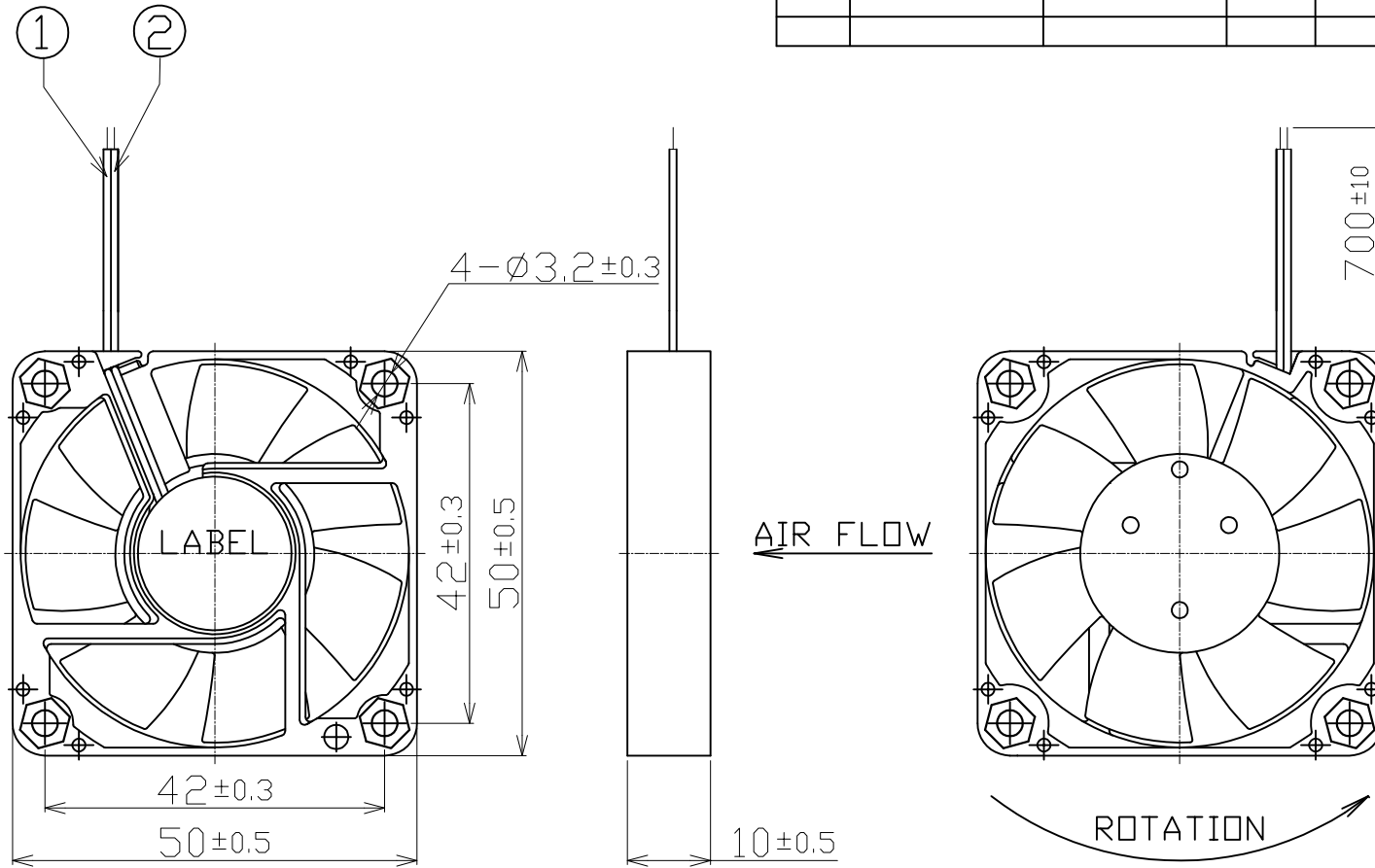
# 样品规格书 Specifications

No.20220602

机种名  
Model F5010EB-24RCV

项目 Item	规 格 Specification
额定电压 (DC V) Rated Voltage	24
使用电压范围 (DC V) Operating Voltage Range	18.0~27.6
额定电流 (A) 以下 Rated Current MAX.	0.13
额定功率 (W) 以下 Rated Input MAX.	3.12
最大风量 m3/min Max.air voiume	0.23
最大静压 Pa Max.air pressure	26
回转速度 (min <sup>-1</sup> ) (常温、常湿) Speed (Room temp. -humidity)	4500±10%
A特性音压 1m (dB) 以下 Noise level(A-weighted) at 1m MAX.	26
使用温度范围 -30℃~+110℃ (常湿) Operating temp. range (Room humidity)	
保存温度范围 -40℃~+120℃ (常湿) Storage temp. range (Room humidity)	
期待寿命 (MTTF) (h) 30, 000 (At 60℃) Life expectancy	
绝缘电阻 10MΩ以上 (机壳与电源导线之间)DC500V Insulation resistance Over10MΩ (between supply lead and frame)at DC500V	
耐电压 AC500V 1分钟 或者 AC600V 1秒 (机壳与电源导线之间) Voltage-withstand AC500V 1 minute or AC600V 1 second (between supply 1ead and frame)	
轴 受 循环轴受 Bearings Hydro Wave Bearing	
导线 ■ (+) Red (-) Black □ (+) Red (-) Blue □ (+) Red (-) Green Lead wire	
信号线 Sensor wire	
重量 约 18.0(g)	

No.	Parts	Manufacture	Q'ty	Remarks
1	Lead Wire(-)	_____	1	UL 3265 HF AWG28 Black
2	Lead Wire(+)	_____	1	UL 3265 HF AWG28 Red



$\Delta \times$					Productions method		Treatment		Scale	FREE		
$\Delta \times$					Approved by	Checked by	Designed by	Drawn by	Units	mm	Model	5010
$\Delta \times$									Tol.		Title/Name	Appearance
Rev.	Date	Revision note	Signature	Checked				2015.12.28	Angle	$\pm 2^\circ$	Dwg.No.	