

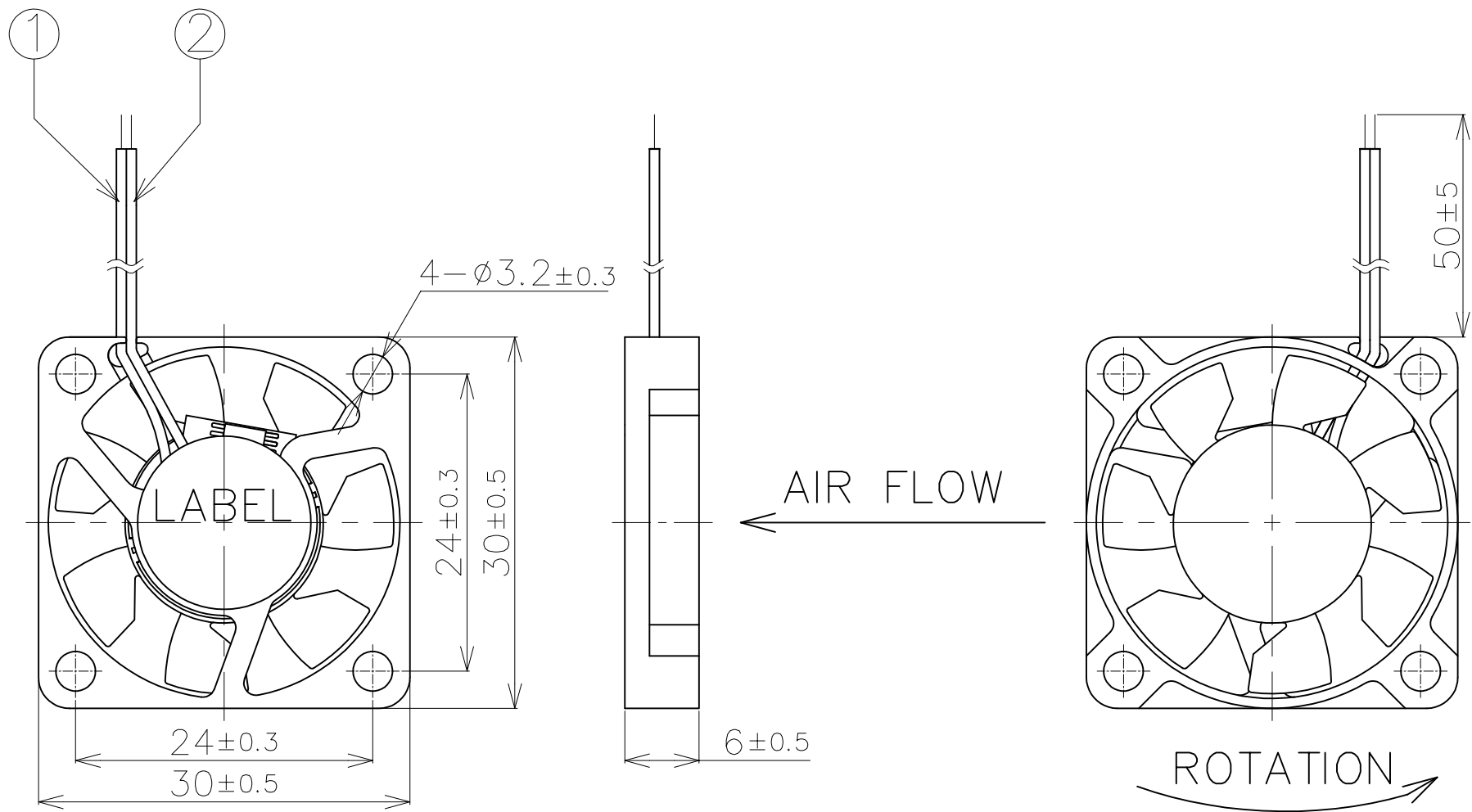
# 样品规格书 Specifications

No.20220605

机种名  
Model F3006ES-12UCV

项目 Item	规 格 Specification
额定电压 (DC V) Rated Voltage	12
使用电压范围 (DC V) Operating Voltage Range	10.2~13.8
额定电流 (A) 以下 Rated Current MAX.	0.12
额定功率 (W) 以下 Rated Input MAX.	1.44
最大风量 m3/min Max.air voiume	0.07
最大静压 Pa Max.air pressure	22
回转速度 (min <sup>-1</sup> ) (常温、常湿) Speed (Room temp. -humidity)	8500±15%
A特性音压 1m (dB) 以下 Noise level(A-weighted) at 1m MAX.	33
使用温度范围 -30°C~+85°C (常湿) Operating temp. range (Room humidity)	
保存温度范围 -40°C~+105°C (常湿) Storage temp. range (Room humidity)	
期待寿命 (MTTF) (h) 30, 000 (At 60°C ) Life expectancy	
绝缘电阻 10MΩ 以上 (机壳与电源导线之间) DC500V Insulation resistance Over10MΩ (between supply lead and frame)at DC500V	
耐电压 AC500V 1分钟 或者 AC600V 1秒 (机壳与电源导线之间) Voltage-withstand AC500V 1 minute or AC600V 1 second (between supply 1ead and frame)	
轴 受 循环轴受 Bearings Hydro Wave Bearing	
导线 ■ (+) Red (-) Black Lead wire □ (+) Red (-) Blue □ (+) Red (-) Green	
信号线 □ Gray Sensor wire □ Yellow	
重量 约 5.4(g) about	

No.	Parts	Manufacturer	Q'ty	Remarks
1	Lead Wire(+)	—————	1	AWG28 Red
2	Lead Wire(-)	—————	1	AWG28 Black



					Productions method		Treatment			Scale	Free	
					Approved by	Checked by	Designed by	Drawn by	Units	mm	Model	3006
									Tol.		Title/Name	Appearance
Rev.	Date	Revision note	Signature	Checked			21.9.23	Angle		Dwg.No.		